

8

DKH 512 DN 25/32 ; Fc=12

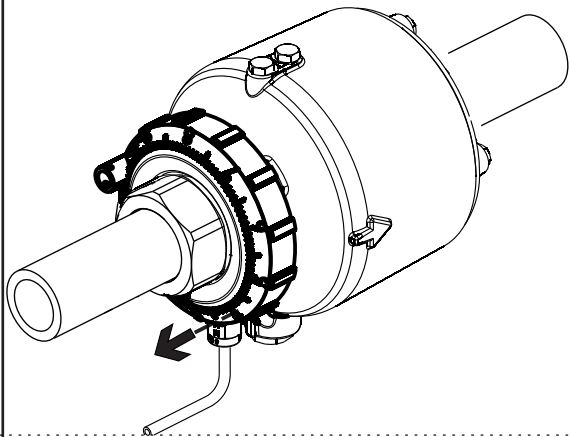
8

Position of scale - Einstellung - Nastavitev

| | 0,0 | 1,0 | 2,0 | 3,0 | 4,0 | 5,0 | 6,0 | 7,0 | 8,0 | 9,0 |
|----|-----|-----|------|------|------|------|------|------|------|------|
| ,0 | 0 | 271 | 873 | 1464 | 1970 | 2445 | 2880 | 3169 | 3404 | 3554 |
| ,1 | 27 | 331 | 932 | 1515 | 2018 | 2489 | 2909 | 3193 | 3419 | 3560 |
| ,2 | 54 | 391 | 991 | 1566 | 2065 | 2532 | 2938 | 3216 | 3434 | 3565 |
| ,3 | 81 | 452 | 1050 | 1616 | 2113 | 2576 | 2967 | 3240 | 3449 | 3571 |
| ,4 | 108 | 512 | 1109 | 1666 | 2160 | 2619 | 2996 | 3263 | 3464 | 3576 |
| ,5 | 136 | 572 | 1169 | 1717 | 2208 | 2663 | 3025 | 3287 | 3479 | 3582 |
| ,6 | 163 | 632 | 1228 | 1768 | 2255 | 2706 | 3053 | 3310 | 3494 | 3587 |
| ,7 | 190 | 692 | 1287 | 1818 | 2303 | 2750 | 3082 | 3334 | 3509 | 3593 |
| ,8 | 217 | 753 | 1346 | 1869 | 2350 | 2793 | 3111 | 3357 | 3524 | 3598 |
| ,9 | 244 | 813 | 1405 | 1919 | 2398 | 2837 | 3140 | 3381 | 3539 | 3604 |

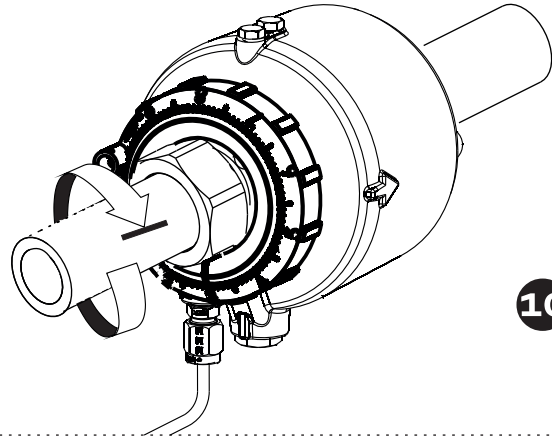
Flow - Volumenstrom - Pretok (l/h)

7



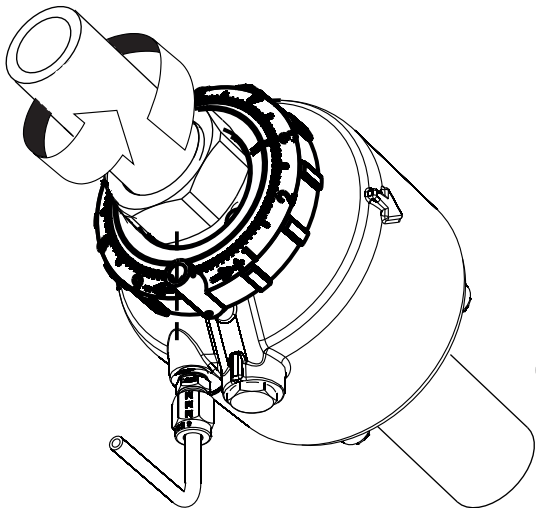
9

8



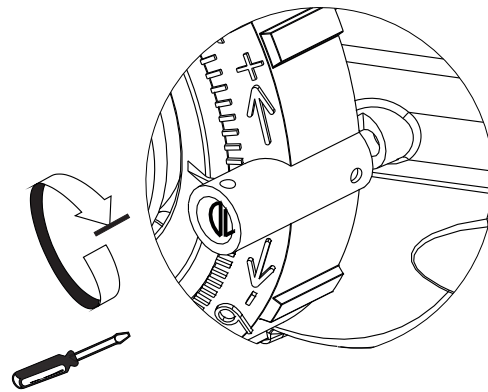
10

9



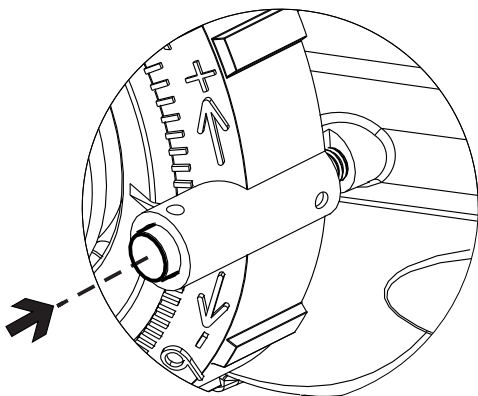
11

10



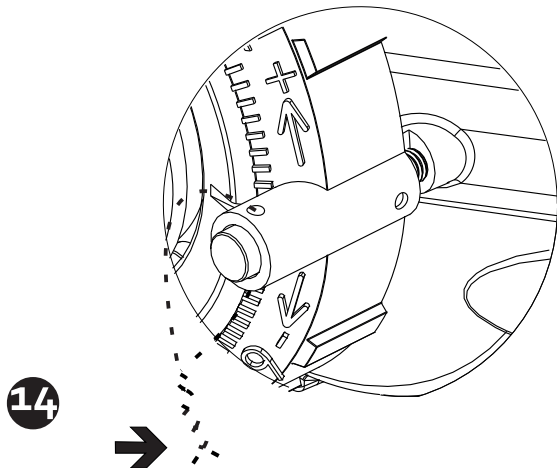
12

11



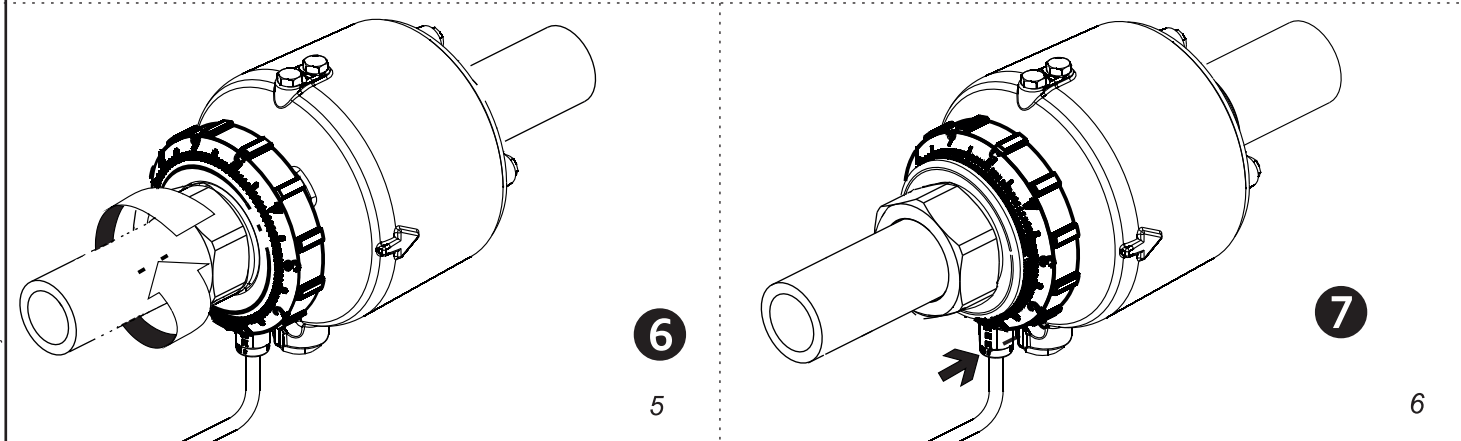
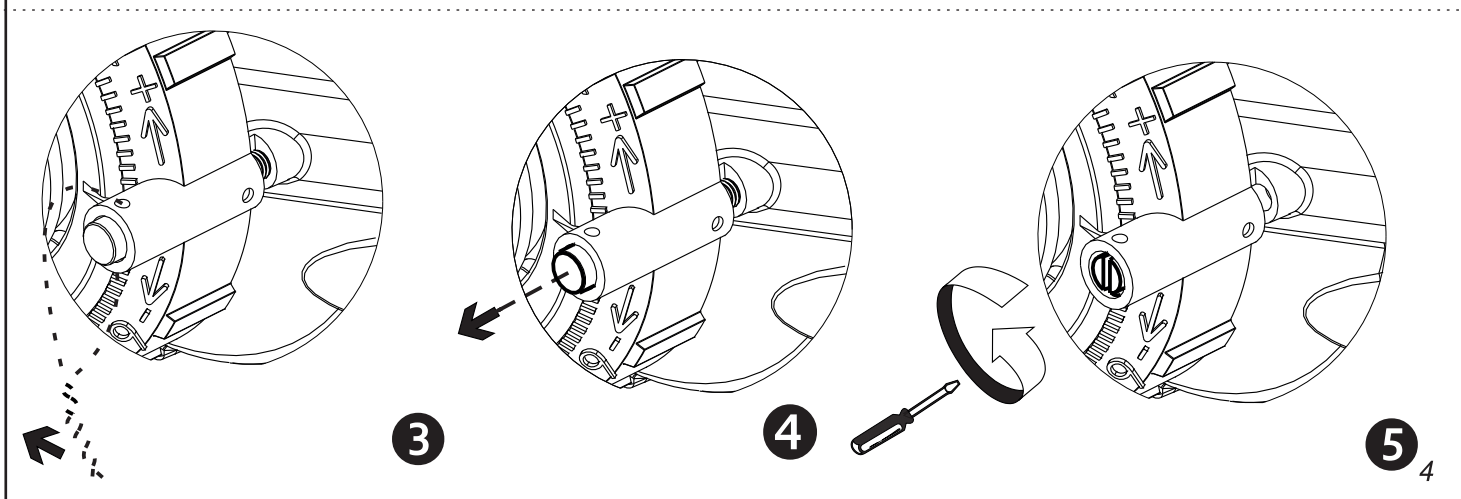
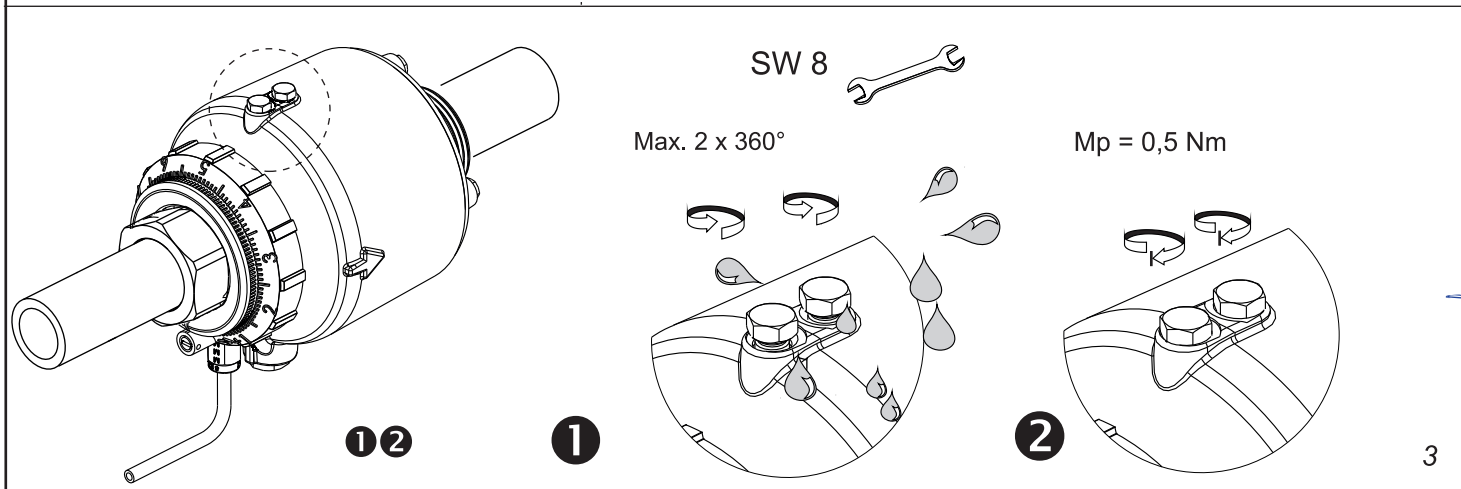
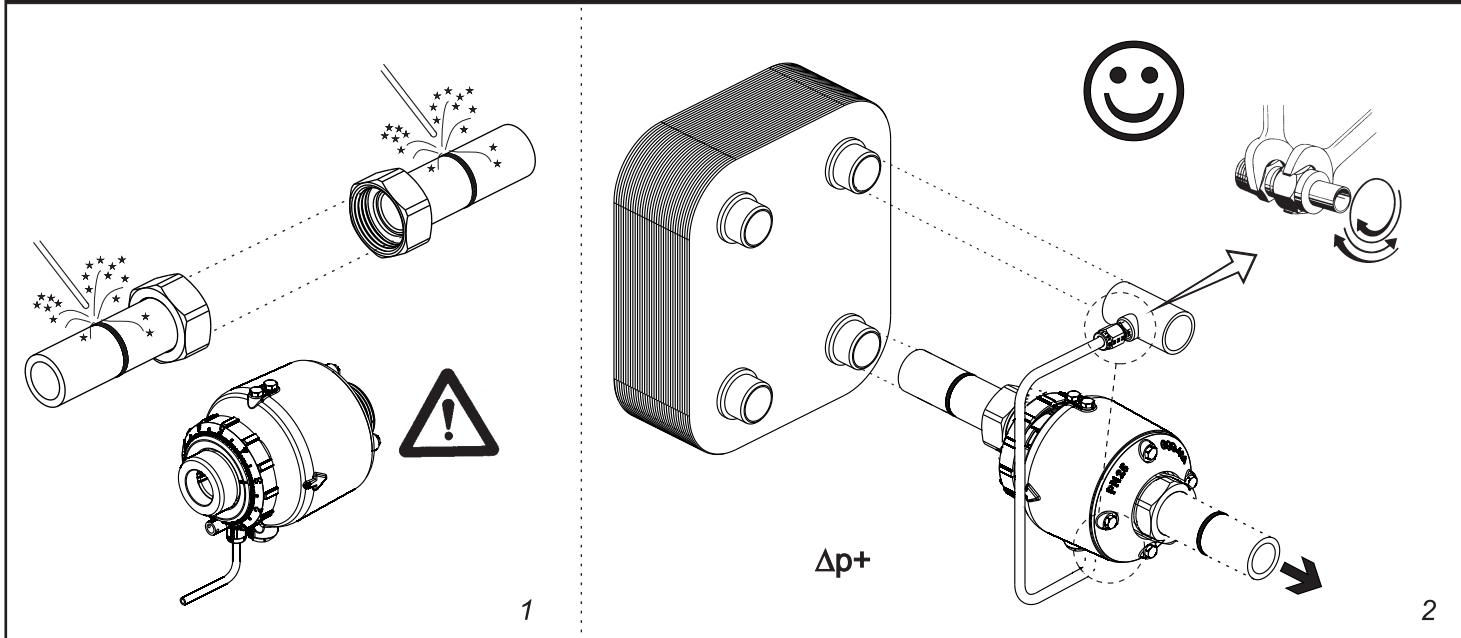
13

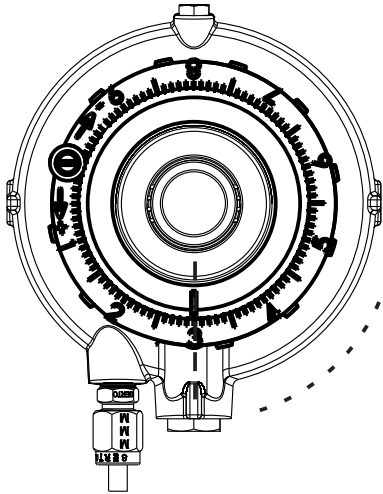
12



14

13





8

DKH 512 DN 25/32 ; Fc=20

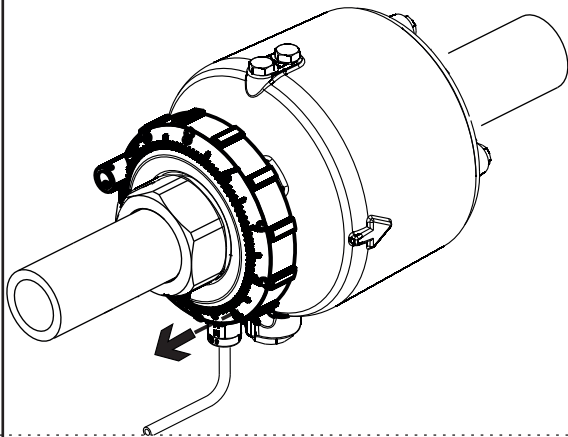
8

Position of scale-Einstellung-Nastavitev

| | 0,0 | 1,0 | 2,0 | 3,0 | 4,0 | 5,0 | 6,0 | 7,0 | 8,0 | 9,0 |
|----|-----|-----|------|------|------|------|------|------|------|------|
| ,0 | 0 | 231 | 954 | 1688 | 2366 | 3032 | 3557 | 3922 | 4230 | 4387 |
| ,1 | 23 | 303 | 1027 | 1756 | 2433 | 3085 | 3594 | 3953 | 4246 | 4394 |
| ,2 | 46 | 376 | 1101 | 1824 | 2499 | 3137 | 3630 | 3984 | 4261 | 4401 |
| ,3 | 69 | 448 | 1174 | 1891 | 2566 | 3190 | 3667 | 4014 | 4277 | 4408 |
| ,4 | 92 | 520 | 1248 | 1959 | 2632 | 3242 | 3703 | 4045 | 4293 | 4415 |
| ,5 | 116 | 593 | 1321 | 2027 | 2699 | 3295 | 3740 | 4076 | 4309 | 4422 |
| ,6 | 139 | 665 | 1394 | 2095 | 2766 | 3347 | 3776 | 4107 | 4324 | 4428 |
| ,7 | 162 | 737 | 1468 | 2163 | 2832 | 3400 | 3813 | 4138 | 4340 | 4435 |
| ,8 | 185 | 809 | 1541 | 2230 | 2899 | 3452 | 3849 | 4168 | 4356 | 4442 |
| ,9 | 208 | 882 | 1615 | 2298 | 2965 | 3505 | 3886 | 4199 | 4371 | 4449 |

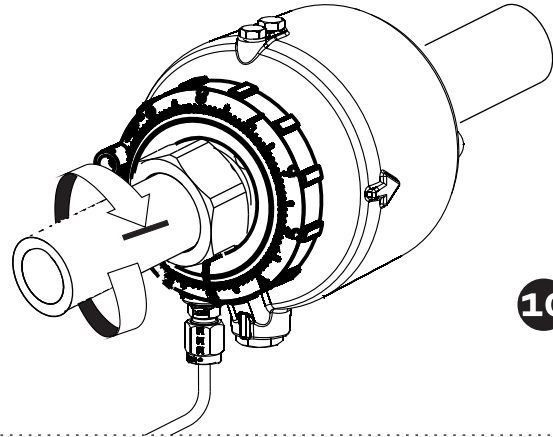
Flow - Volumenstrom - Pretok (l/h)

7



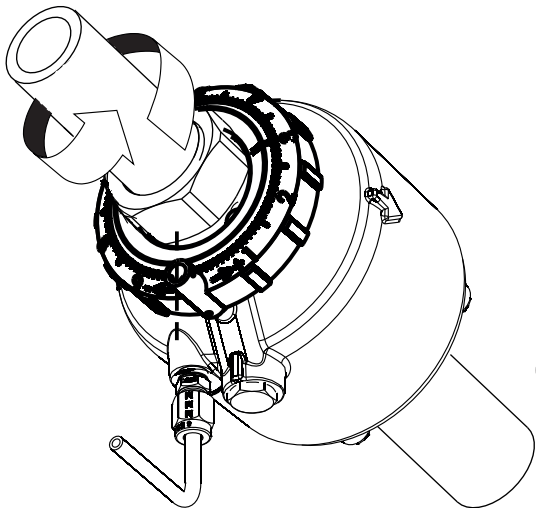
9

8



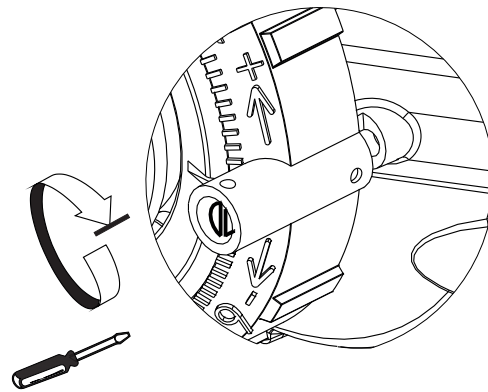
10

9



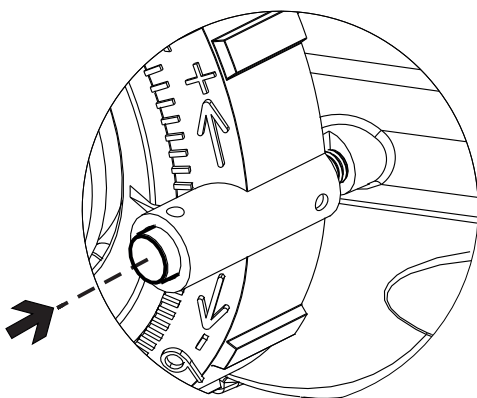
11

10



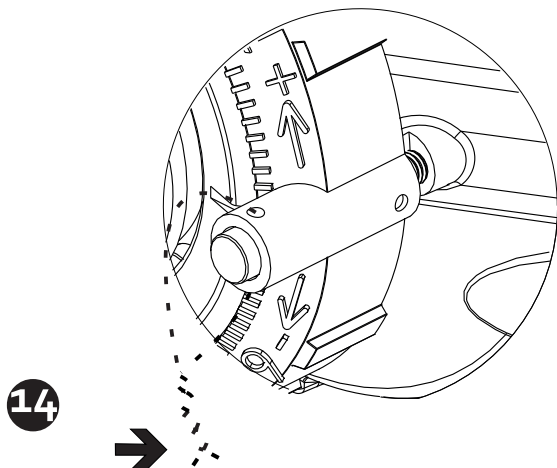
12

11



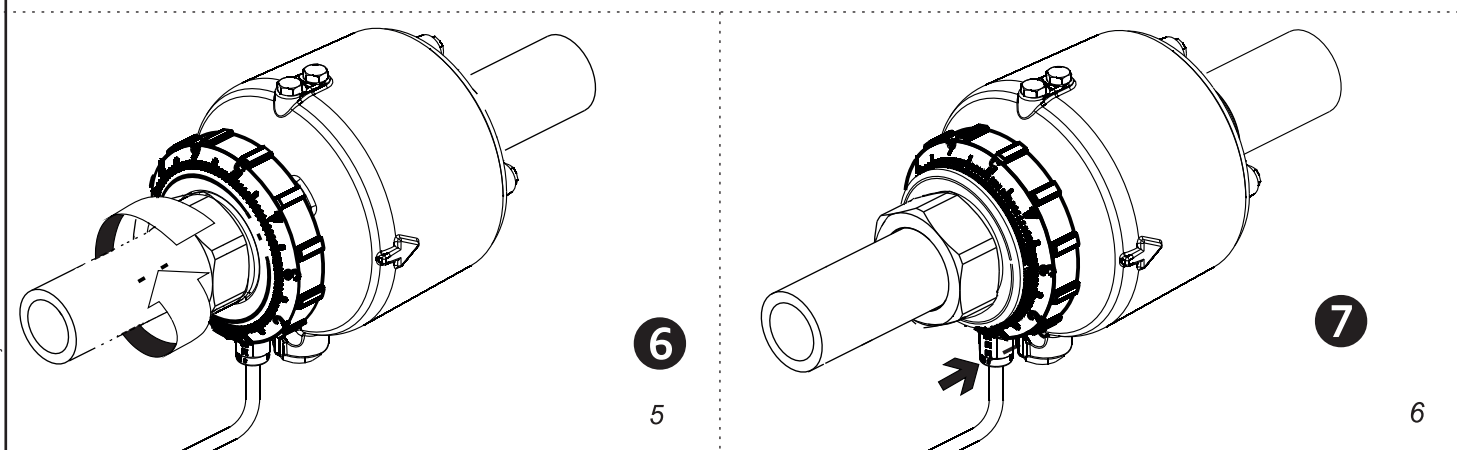
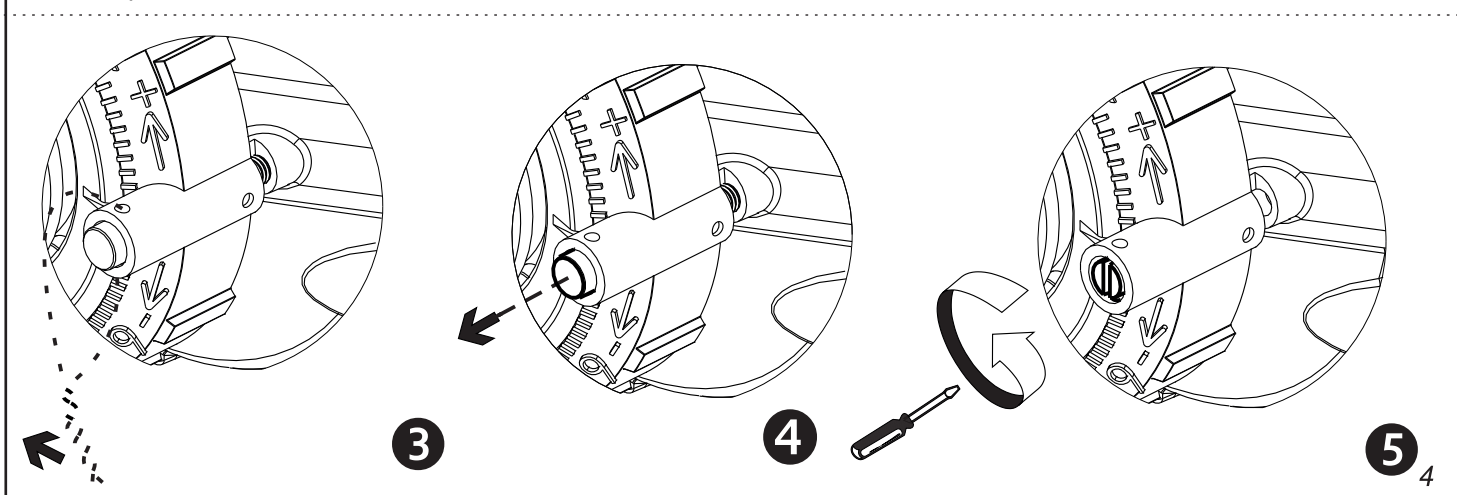
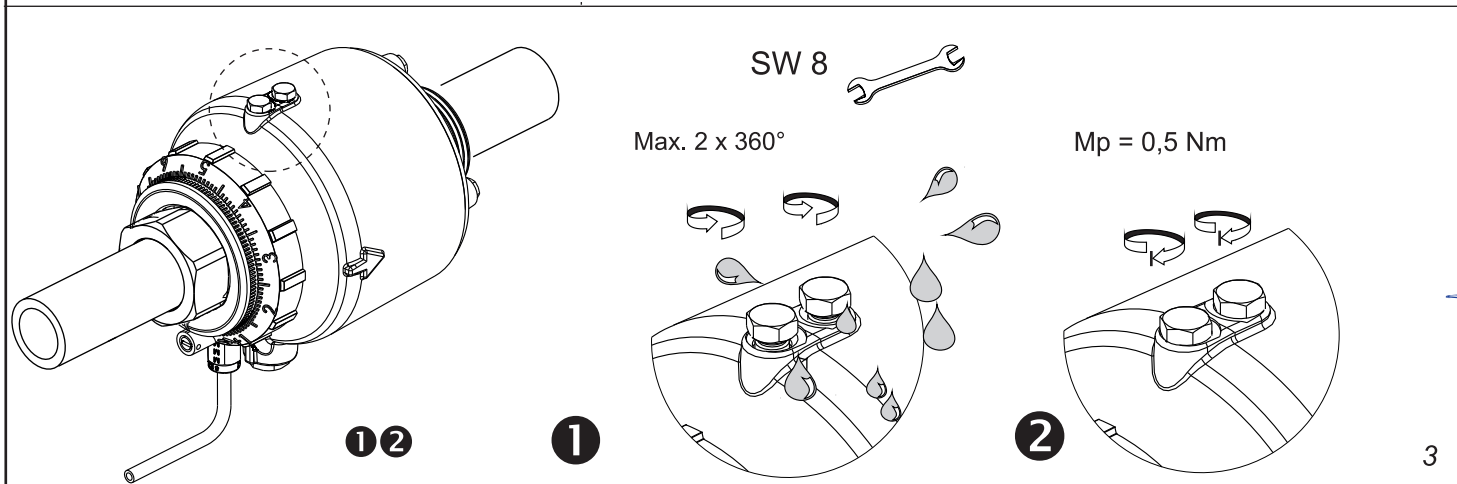
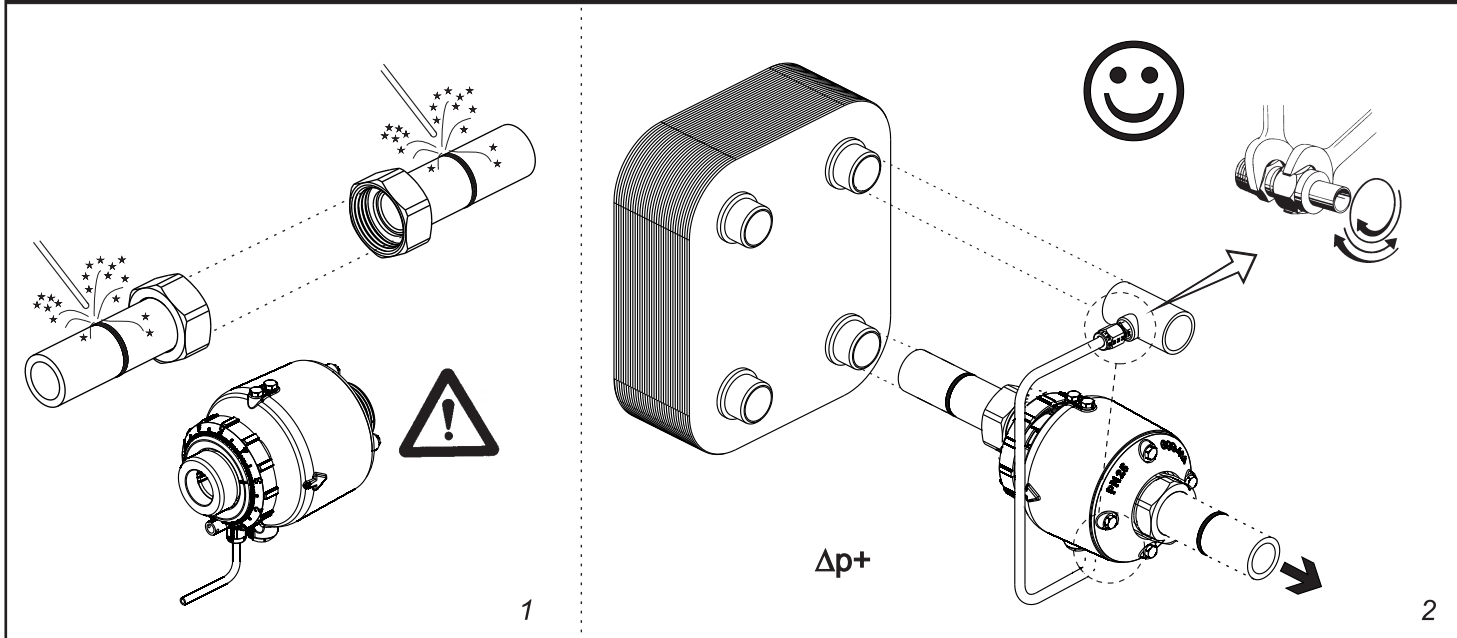
13

12



14

13

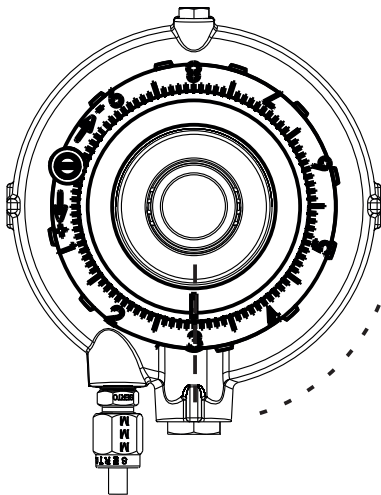


\\Server13_Razvoj\DESIGN\RADNO\OBDELAVA\299

Approved by: _____

13187 - Navodilo (smeško) DKH 512 DN25/32 HF by Jože Hočevar 19.06.2012 - Rev. A

3



8

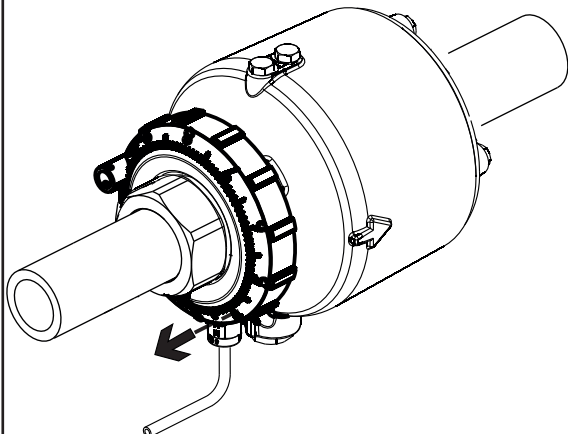
DKH 512 DN 25/32 ; Fc=40

Position of scale - Einstellung - Nastavitev

| | 0,0 | 1,0 | 2,0 | 3,0 | 4,0 | 5,0 | 6,0 | 7,0 | 8,0 | 9,0 |
|----|-----|------|------|-------------|------|------|------|------|------|------|
| ,0 | 0 | 728 | 1780 | 2886 | 3708 | 4615 | 5264 | 5734 | 6077 | 6121 |
| ,1 | 73 | 833 | 1891 | 2968 | 3799 | 4680 | 5311 | 5768 | 6081 | 6122 |
| ,2 | 146 | 938 | 2001 | 3050 | 3889 | 4745 | 5358 | 5803 | 6086 | 6123 |
| ,3 | 218 | 1044 | 2112 | 3133 | 3980 | 4810 | 5405 | 5837 | 6090 | 6124 |
| ,4 | 291 | 1149 | 2222 | 3215 | 4071 | 4875 | 5452 | 5871 | 6095 | 6125 |
| ,5 | 364 | 1254 | 2333 | 3297 | 4162 | 4940 | 5499 | 5906 | 6099 | 6127 |
| ,6 | 437 | 1359 | 2444 | 3379 | 4252 | 5004 | 5546 | 5940 | 6103 | 6128 |
| ,7 | 510 | 1464 | 2554 | 3461 | 4343 | 5069 | 5593 | 5974 | 6108 | 6129 |
| ,8 | 582 | 1570 | 2665 | 3544 | 4434 | 5134 | 5640 | 6008 | 6112 | 6130 |
| ,9 | 655 | 1675 | 2775 | 3626 | 4524 | 5199 | 5687 | 6043 | 6117 | 6131 |

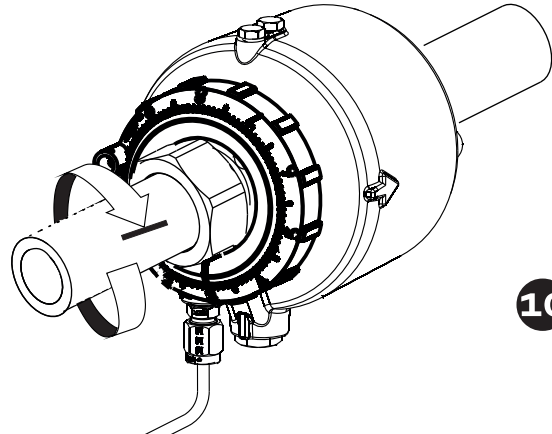
Flow - Volumenstrom - Pretok (l/h)

7



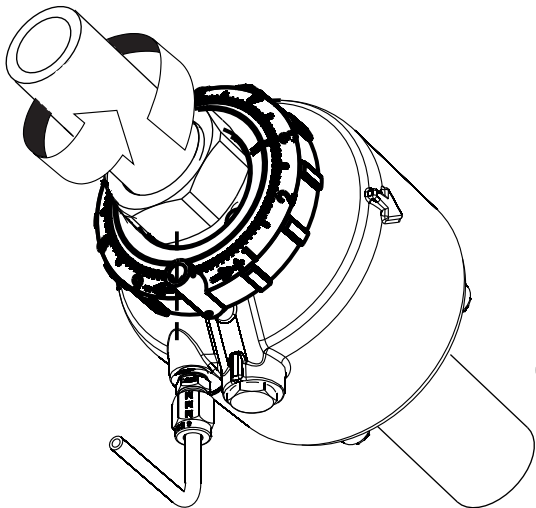
9

8



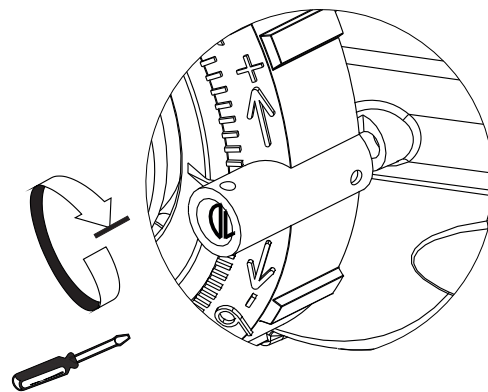
10

9



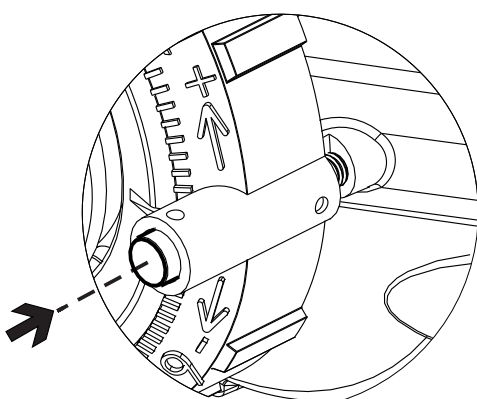
11

10



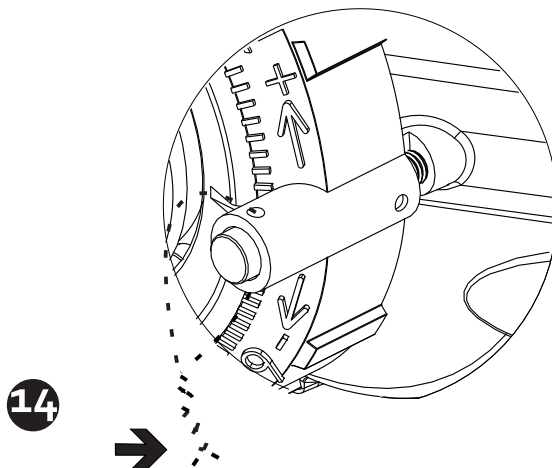
12

11



13

12



14

13